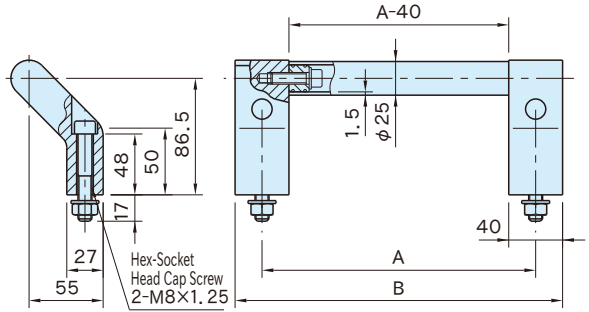


HH25 **STAINLESS STEEL EQUIPMENT HANDLES**



Handle	Shank	Mounting Screw, Nut & Washer
Stainless steel (SUS304)	Aluminum (A6N01S) Anodized finish Satin finish Black matte	Stainless steel (SUS304)

Part Number	A	B	Load Capacity (N)	Weight (g)
HH25-200-SUS	200	240	1000	953
HH25-300-SUS	300	340		1,041
HH25-400-SUS	400	440		1,128
HH25-500-SUS	500	540		1,216
HH25-600-SUS	600	640		1,303