

EALA ERGOSTYLE ADJUSTABLE HANDLES



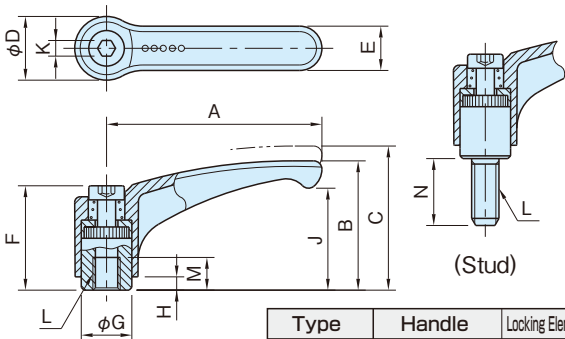
ELESA Original Design ERZ.



EALA-SUS
(Tapped, Stainless-Steel Locking Element)



EALA
(Stud, Steel Locking Element)



Type	Handle	Locking Element
EALA	Glass-fiber reinforced polyamide plastic	Steel (SUM22L) Black oxide finish
EALA-SUS	Black matte	Stainless steel (SUS303)

Size	No. of Teeth	A	B	C	D	E	F	G	H	J	K	L	
EALA	44A	18	44	30.5	34	15.5	11	24.5	10	3.5	22.5	3	M 4×0.7
	44B												M 5×0.8
	44C												M 6×1
	63A	24	63	38.5	42	19	13.5	31	13.5	3.5	30	4	M 6×1
	63B												M 8×1.25
63C	M10×1.5												
EALA-SUS	78A	26	78	46.5	50.5	23	16	36	16	3.5	36.5	4	M 8×1.25
	78B												M10×1.5
	78C												M12×1.75
	95A												M10×1.5
	95B	28	95	56.5	61.5	26.5	18	43	19	5	45	5	M12×1.75
95C	M16×2												

Tapped

Steel Locking Element	Stainless-Steel Locking Element	M	Weight (g)
Part Number	Part Number		
EALA44A	-	8	16
EALA44B	EALA44B-SUS		16
EALA44C	EALA44C-SUS		15
EALA63A	EALA63A-SUS	10	36
EALA63B	EALA63B-SUS		34
EALA78A	EALA78A-SUS	14	61
EALA78B	EALA78B-SUS		55
EALA95A	EALA95A-SUS	17	93
EALA95B	EALA95B-SUS		86

How To Adjust Handle Position



Lift the handle to disengage the teeth from the locking element.



Turn the lifted handle to a desired position.



When the handle is released, the return spring automatically engages the teeth again for further tightening.