

CP722

ONE-TOUCH FLEX LOCATOR CLAMPERS



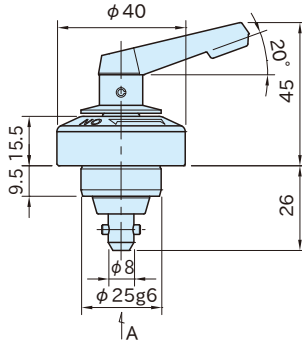
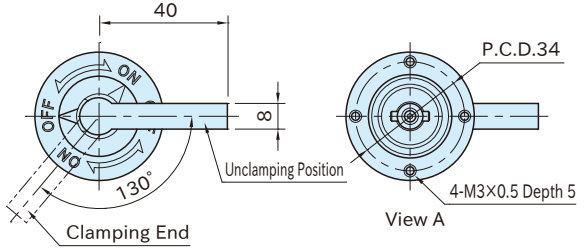
Body / Shank	Tapered Pin	Handle	Pin
Steel(SCM440) Black Oxide Finished	SCM440 ISONITE Treated (Nitrocarburized)	Die cast zinc(ZDC1) ZDC1 Silver-gray painted	SUS303 Stainless steel



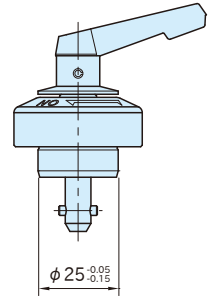
CP722-0840R-06



CP722-0840R-06N



CP722-0840R-06



CP722-0840R-06N

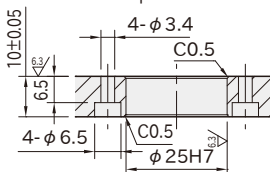
Part Number	Tapered Pin	Clamping Force (N)	Lifting Force (N) (*)	Weight (g)	Proper One-Touch Flex Locator Bushing
CP722-0840R-06	With	600	100	220	CP727-0840R
CP722-0840R-06N	Without	700	—	215	

*) The lifting force is the power of the inner spring of the body to push up the movable tapered pin.

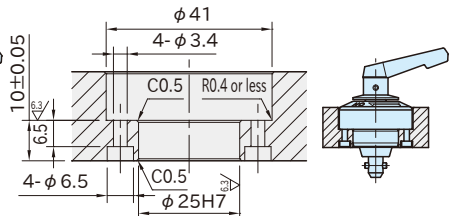
How To Use

■ Mounting Hole Dimensions

Can be used with plates of 10mm - 22mm thickness.



Installation on 10mm-thick Plate



Installation on 10mm-22mm Thick Plate
Drill a counterbored hole.

Reference

- Mechanism of FLEX LOCATORS
- How To Use ONE-TOUCH FLEX LOCATORS

Furnished Part:

- 4 of M3×0.5-10L Hex Socket-Head Cap Screw