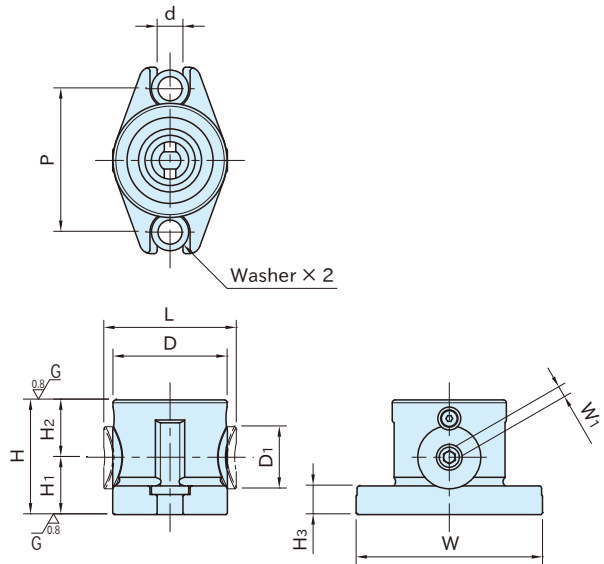


CP150

CLAMPING MODULES (Flanged)



Body	Clamping Nut	Locking Screw
SCM440 steel Induction hardened Black oxide finished Precision ground	SCM440 steel Quenched and tempered Black oxide finished	SCM435 steel Quenched and tempered Black oxide finished

Part Number	D	H (±0.01)	D ₁	L	H ₁	H ₂	W	H ₃	d	P	W ₁
CP150-08040	40	40	22	46	20	20	65	10	9	50	4
CP150-12063	60	63	32	69	33	30	95	15	13	75	6
CP150-16080	80	80	44	91	40	40	130	20	17	100	8

Part Number	Clamping Force (kN)	Allowable Screw Torque (N·m)	Weight (kg)
CP150-08040	8	8	0.3
CP150-12063	15	22	1.4
CP150-16080	25	50	3.3

Furnished Parts

2 pcs. of flat washer

Related Products

- **CP155-L** Tapered Clamping Screws (Round)
- **CP155-D** Tapered Clamping Screws (Diamond)
- **CP156** Clamping Screws
- **CP157** Tapered Bushings