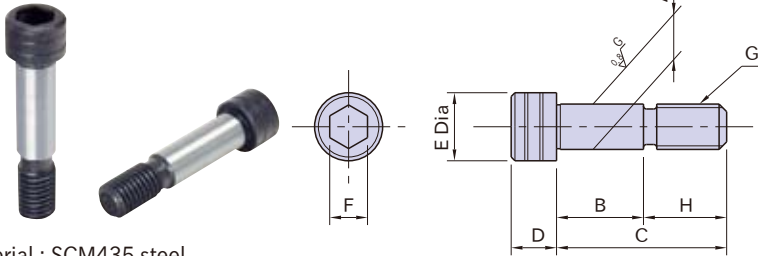


# BJ701

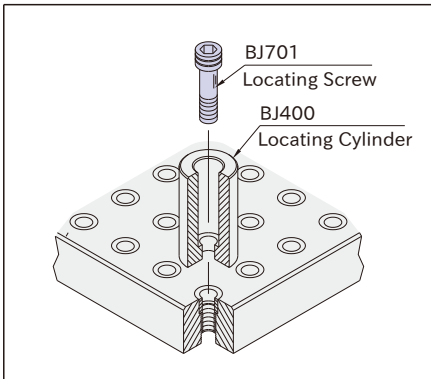
# LOCATING SCREWS (Accurate)



Material : SCM435 steel  
 Heat Treat : Quenched and tempered  
 Finish : Black oxide  
 Precision ground

Part Number	A ( $-0.005$ $-0.013$ )	B	C	D	E	F	G	H	Weight (g)
<b>BJ701-12045</b>	12	23	45	12	18	10	M12x1.75	22	52
<b>BJ701-12055</b>		33	55						59
<b>BJ701-12065</b>		43	65						68
<b>BJ701-12075</b>		53	75						76
<b>BJ701-16055</b>	16	30	55	16	24	14	M16x2	25	120
<b>BJ701-16065</b>		40	65						134
<b>BJ701-16075</b>		50	75						145

## How To Use



Use to locate a component with one locating-screw hole.