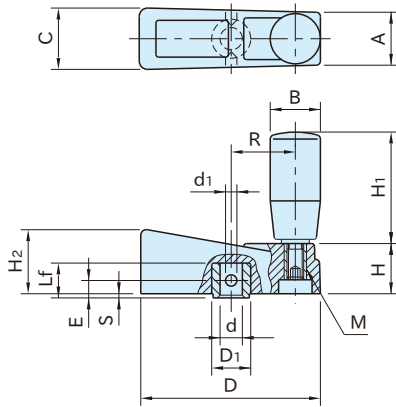


BA

BALANCED HANDLES



Original ELESA Model ME.



Crank	Hub	Cap	Cap Handle
Phenolic plastic (BA95:Polyamide) Glossy Finish Black	Steel (SUM22L) Black oxide finish	Aluminum (A1080P) Silver matte	Phenolic plastic Glossy Finish Black

Part Number	D	H	H ₂	D ₁	B	H ₁	M	R	d (H7)	Lf	A	C	S	d ₁	E	Weight (g)
BA 65	65	18	23	13	18	40	M 6×1	23	8	13	19	22	1.5	4.5	6.5	93
BA 80	80	20	26	14	21	50	M 8×1.25	30	10	16	20	24		5.5	8	9
BA 95	94	22	29					23	65	M10×1.5	36	12	19			
BA110	110	24	34	18	26	80	M10×1.5	44	17.5	17.5	22	28	9	9	9	260
BA140	140	26	37					26			80	M10×1.5				57

Features

- Embedded counterweight makes the handle balanced.
- Glass fiber added for greater material strength.
- Comes with a **RG** handle

Technical Information

Working temperature : Between -20°C and 110°C

Notes

- d is not a through hole.
- d₁ is a prepared hole for setscrews.