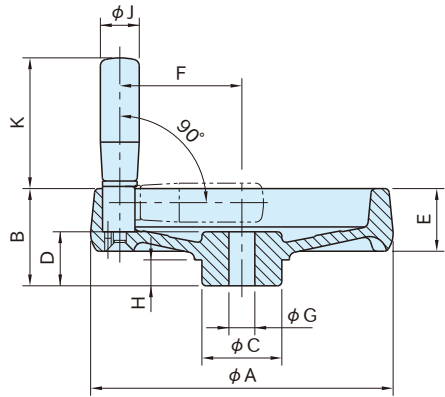


ASH

ALUMINUM SOLID SQUARE HANDWHEELS



Handwheel	Handle
Aluminum alloy(ADC12) Baked finish Silver gray	Polyamide plastic Black

Part Number	A	B	C	D	E	F	G (H8)	H	J	K	Weight (g)
ASH125	123	40	34	22	28	50.5	12	10	18	61	500
ASH140	135	45	37	25	29	56.5		12			12
ASH160	158	49	40	28	30	64	16	14	22	78	850
ASH200	198	54	45	32	31	83	18	15			1,350
ASH250	250	61	55	36	32	107	22	16	28	97	2,000

Features

- Nearly one-third as heavy as steel handwheels.
- Comes with a **SFR** revolving fold-away handle.