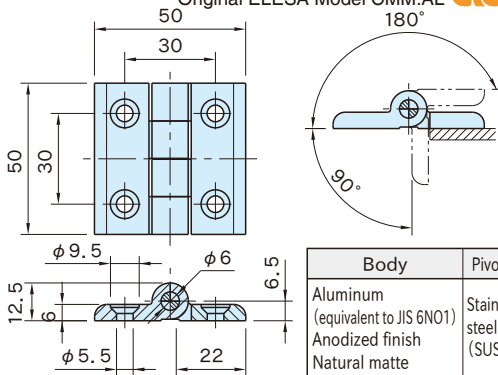


# AFTH

# ALUMINUM HINGES



Original ELESA Model CMM.AL



Body	Pivot Pin
Aluminum (equivalent to JIS 6N01) Anodized finish Natural matte	Stainless steel (SUS304)

Part Number	Weight (g)
<b>AFTH5050HH</b>	50

## Technical Information

Pivot Angle max. 270°

## Application Example

