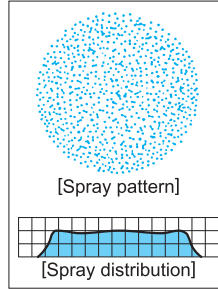


# Wide-angle Full Cone Spray Nozzles

# BBXP/BBXP-PVDF/BBXP-PVC



### [Features]

- Wide-angle full cone spray pattern with a round impact area and uniform distribution.
- Spray angle of 120° provides larger spray coverage than other nozzles.
- Spray capacity ranges from small to medium.
- X-shaped whirler provides large free passage diameter for minimal clogging.

### [Standard Pressure]

0.2 MPa for spray capacity codes of 015–060.  
0.35 MPa for spray capacity codes of 10 and over.

### [Applications]

Cleaning: Gas, incinerator fumes, machinery, eliminators, screen, tanks, parts, crushed stones, earth and sand  
Cooling: Gas, machineries, tanks, steel plates  
Spraying: Water treatment, aeration, foam breaking, fire extinguishing, dust suppression, sea water desalination

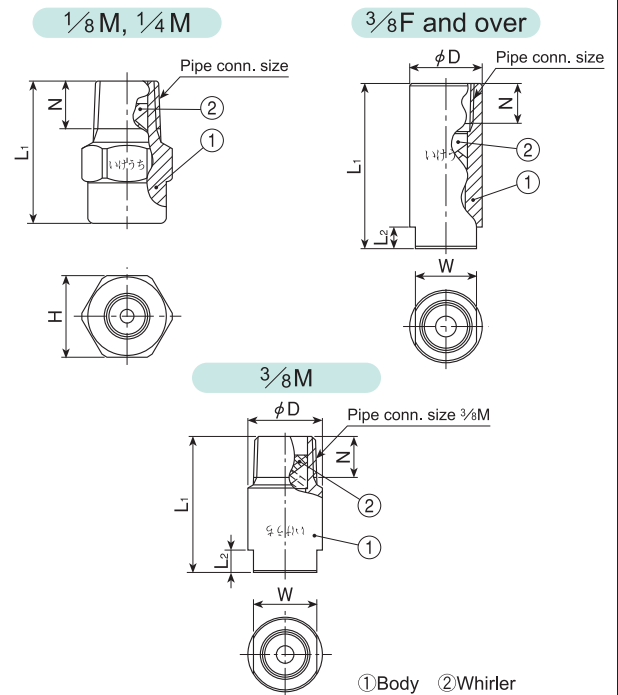
Full Cone

## BBXP series

BBXP series	
Structure	● One-piece structure with press-fit X-shaped whirler.
Material	<ul style="list-style-type: none"> <li>● Sizes 1/8M–3/8M (3/4F): S303</li> <li>● Sizes 1/2F–1F: S303 or B (brass)</li> <li>● Sizes 1 1/2F or larger: S316</li> <li>● Optional material: S316L or others</li> </ul>

Pipe conn. size*1	Dimensions (mm)						Mass (g)	
	L <sub>1</sub>	L <sub>2</sub>	H	W	φD	N	S303 S316	B
1/8M	21	—	12	—	—	7	11	—
1/4M (015, 020)	21	—	14	—	—	10.5	20	—
1/4M (030)	21.5	—	14	—	—	10.5	20	—
1/4M (040–060)	29	—	14	—	—	10.5	21	—
3/8M	36.5	6	—	17	20	11	55	—
3/8F	45.5	6	—	17	20	11	75	—
1/2F	56	8	—	22	25	14	140	150
3/4F	73	10	—	27	32	15	300	320
1F	94	14	—	34	40	17	585	625
1 1/2F	131	20	—	50	58	19	1,760	—
2F	168	24	—	60	70	23	2,980	—
2 1/2F	199	27	—	80	90	27	5,890	—
3F	220	30	—	90	105	30	9,400	—
4F	278	40	—	115	130	36	16,100	—

\*1) Figures in ( ) after the pipe connection sizes indicate the spray capacity codes.



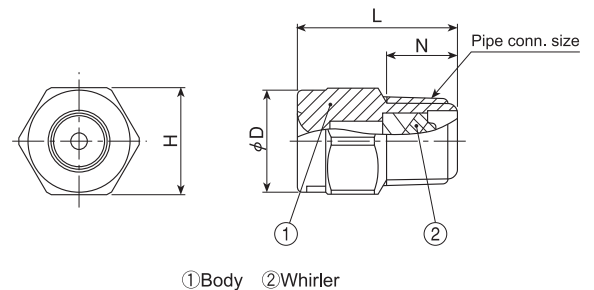
[Note] Appearance and dimensions may differ slightly depending on materials and nozzle codes.

## BBXP-PVDF series

BBXP-PVDF series	
Structure	● One-piece structure with press-fit X-shaped whirler.
Material	● PVDF (polyvinylidene fluoride)

Pipe conn. size	Dimensions (mm)				Mass (g)
	L	H	φD	N	
1/8M	18	12	11	8	2
1/4M	22	14	12	11.5	4.1

[Note] Appearance and dimensions may differ slightly depending on materials and nozzle codes.



## BBXP-PVC series

BBXP-PVC series	
Structure	● One-piece structure with removable X-shaped whirler.
Material	● PVC (polyvinyl chloride)
Mass	● 1.4 g

[Note] Appearance and dimensions may differ slightly depending on materials and nozzle codes.

