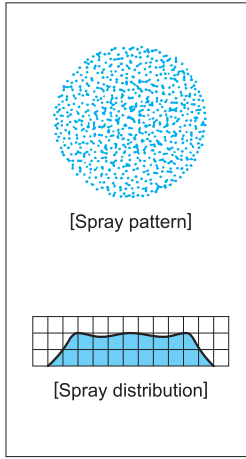


Standard Type Full Cone Spray Nozzles

JJXP

Full Cone



[Features]

- Full cone spray pattern with a round impact area and uniform distribution.
- Spray capacity ranges from small to medium.
- X-shaped whirler provides large free passage diameter for minimal clogging.

[Standard Pressure]

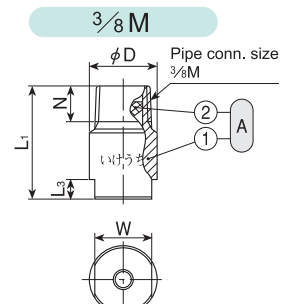
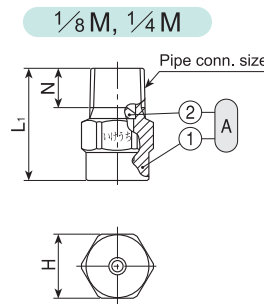
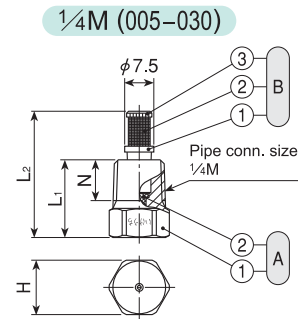
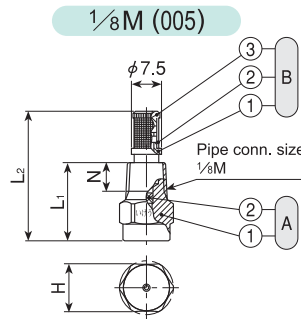
0.2 MPa

[Applications]

- Cleaning: Gas, incinerator fumes, machinery, eliminators, screen, tanks, parts, crushed stones, earth and sand
- Cooling: Gas, machineries, tanks, steels
- Spraying: Waste water treatment, aeration, foam breaking, fire extinguishing, dust suppression, sea water desalination

JJXP series

JJXP series	
Structure	● One-piece structure with press-fit X-shaped whirler.
Material	<ul style="list-style-type: none"> ● Sizes $\frac{1}{8}M$–$\frac{3}{4}M$ ($\frac{3}{4}F$): S303 ● Sizes $\frac{1}{2}F$–$1F$: S303 or B (brass) ● Sizes $1\frac{1}{2}F$ or larger: S316 ● Whirler material is mainly S316L equivalent, but depending on nozzle codes, S316 equivalent or SCS16 whirlers are used. ● Optional material: S316, S316L PP, PTFE (for $\frac{3}{4}F$ sizes and over) <p>[Note] Thread size of optional material may differ depending on materials.</p>



Pipe conn. size*1	Dimensions (mm)							Mass (g)	
	L ₁	L ₂	L ₃	H	W	φD	N	S303 S316	B
$\frac{1}{8}M$ (005)	32.5	20	—	12	—	—	7	9.5*2	—
$\frac{1}{8}M$ (010-030)	20	—	—	12	—	—	7	11	—
$\frac{1}{4}M$ (005-030)	20	32.5	—	14	—	—	10.5	18	—
$\frac{1}{4}M$ (040-060)	28	—	—	14	—	—	10.5	21	—
$\frac{3}{8}M$	34	—	6	—	17	20	11	50	—
$\frac{3}{8}F$	43	—	6	—	17	20	11	61	—
$\frac{1}{2}F$	54	—	8	—	22	25	14	140	150
$\frac{3}{4}F$	69	—	10	—	27	32	15	270	290
1F	89	—	14	—	34	40	17	515	550
$1\frac{1}{2}F$	124	—	20	—	50	58	19	1,520	—
2F (250-350)	160	—	24	—	60	70	23	2,600	—
2F (400-500)	118.5	—	24	—	60	70	23	2,050	—
$2\frac{1}{2}F$	147.5	—	27	—	80	90	27	4,360	—
3F (920)	163.5	—	30	—	90	105	30	6,700	—
3F (1200)	170.5	—	30	—	90	105	30	6,500	—

*1) Figures in () after the pipe connection sizes indicate the spray capacity codes.
*2) For JJXP005 with strainer, add 2 g to the above mass.

[Note] Appearance and dimensions may differ slightly depending on materials and nozzle codes.

- A Nozzle** (1)Body (2)Whirler [S316L equivalent])
B Strainer (1)Strainer holder (2)Strainer screen [S316] (3)Strainer cap