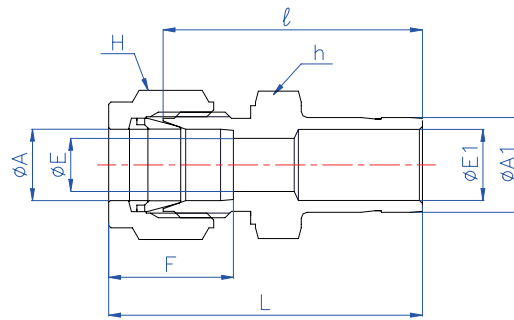


**BI-LoK****MDRE****Reducer**  
Connects metric Tube to Fractional BI-LOK Port

Part No.	A	A1		E	E1	h	H	l	l <sub>1</sub>	L	F
	mm	in	mm	mm	mm	HEX	HEX	mm	mm	mm	mm
MDRE 3M-2	3	1/8	3.18	2.4	2.0	12	12	27.9	14.0	34.6	13.0
MDRE 3M-4	3	1/4	6.35	2.4	4.8	12	12	30.4	16.5	37.1	13.0
MDRE 4M-2	4	1/8	3.18	2.7	2.0	12	13	29.5	14.0	36.3	13.9
MDRE 4M-4	4	1/4	6.35	2.7	4.8	12	13	31.5	16.5	38.3	13.9
MDRE 6M-2	6	1/8	3.18	4.8	2.0	14	14	30.0	14.0	37.5	15.4
MDRE 6M-4	6	1/4	6.35	4.8	4.8	14	14	32.6	16.5	40.1	15.4
MDRE 6M-5	6	5/16	7.94	4.8	6.4	14	14	33.3	17.2	40.8	15.4
MDRE 6M-6	6	3/8	9.53	4.8	7.1	14	14	34.0	18.0	41.5	15.4
MDRE 6M-8	6	1/2	12.7	4.8	9.9	14	14	39.5	23.5	47.0	15.4
MDRE 6M-10	6	5/8	15.88	4.8	12.7	17	14	41.9	25.2	49.4	15.4
MDRE 8M-4	8	1/4	6.35	6.4	4.8	17	17	34.0	16.5	41.5	16.3
MDRE 8M-6	8	3/8	9.53	6.4	7.1	17	17	35.5	18.0	43.0	16.3
MDRE 8M-8	8	1/2	12.7	6.4	9.9	17	17	40.5	23.5	48.0	16.3
MDRE 10M-4	10	1/4	6.35	7.9	4.8	19	19	35.8	16.5	43.6	17.3
MDRE 10M-6	10	3/8	9.53	7.9	7.1	19	19	37.2	18.0	45.0	17.3
MDRE 10M-8	10	1/2	12.7	7.9	9.9	19	19	42.7	23.5	50.5	17.3
MDRE 12M-4	12	1/4	6.35	9.5	4.8	22	22	36.3	16.5	46.5	22.9
MDRE 12M-6	12	3/8	9.53	9.5	7.1	22	22	37.8	18.0	48.0	22.9
MDRE 12M-8	12	1/2	12.7	9.5	9.9	22	22	43.3	23.5	53.5	22.9
MDRE 12M-12	12	3/4	19.05	9.5	15.0	22	22	45.0	25.2	55.2	22.9
MDRE 12M-16	12	1	25.4	9.5	20.1	27	22	53.5	32.5	63.7	22.9
MDRE 16M-16	16	1	25.4	12.7	20.1	27	27	54.2	32.5	64.4	24.5
MDRE 18M-12	18	3/4	19.05	15.1	15.0	27	30	48.4	25.2	58.6	24.5
MDRE 18M-16	18	1	25.4	15.1	20.1	27	30	54.7	32.5	64.9	24.5
MDRE 25M-16	25	1	25.4	22.5	20.1	36	41	58.4	32.5	70.9	31.6