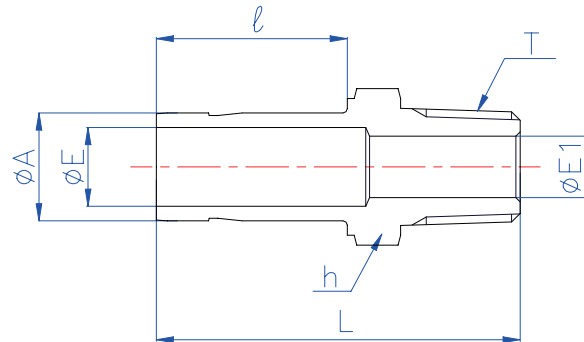


BI-LoK**MDHA****Male Adapter/tapered pipe thread
Connects metric BI-LOK Port to female tapered pipe thread**

Part No.		A	T	E	E ₁	h	l	L
ANSI NPT	ISO/JIS R	mm	NPT/R	mm	mm	HEX	mm	mm
MDHA 3M-2	MDHA 3M-R2	3	1/8	1.5	4.8	12	14.0	29.2
MDHA 4M-2	MDHA 4M-R2	4	1/8	2.5	4.8	12	15.0	30.2
MDHA 4M-4	MDHA 4M-R4	4	1/4	2.5	7.1	14	15.0	35.0
MDHA 6M-2	MDHA 6M-R2	6	1/8	4.0	4.8	12	16.5	31.7
MDHA 6M-4	MDHA 6M-R4	6	1/4	4.0	7.1	14	16.5	36.5
MDHA 6M-6	MDHA 6M-R6	6	3/8	4.0	10.4	19	16.5	38.3
MDHA 6M-8	MDHA 6M-R8	6	1/2	4.0	12.7	22	16.5	42.8
MDHA 8M-2	MDHA 8M-R2	8	1/8	6.4	4.8	12	17.2	31.8
MDHA 8M-4	MDHA 8M-R4	8	1/4	6.4	7.1	14	17.2	37.1
MDHA 8M-6	MDHA 8M-R6	8	3/8	6.4	10.4	19	17.2	39.0
MDHA 8M-8	MDHA 8M-R8	8	1/2	6.4	12.7	22	17.2	43.5
MDHA 10M-4	MDHA 10M-R4	10	1/4	8.0	7.1	14	18.0	38.0
MDHA 10M-6	MDHA 10M-R6	10	3/8	8.0	10.4	19	18.0	39.8
MDHA 10M-8	MDHA 10M-R8	10	1/2	8.0	12.7	22	18.0	44.3
MDHA 12M-4	MDHA 12M-R4	12	1/4	9.5	7.1	14	23.5	43.5
MDHA 12M-6	MDHA 12M-R6	12	3/8	9.5	10.4	19	23.5	45.3
MDHA 12M-8	MDHA 12M-R8	12	1/2	9.5	12.7	22	23.5	49.8
MDHA 12M-12	MDHA 12M-R12	12	3/4	9.5	18.3	27	23.5	51.3
		12	3/4	9.5	18.3	27	23.5	53.3
MDHA 15M-6	MDHA 15M-R6	15	3/8	12.0	10.4	19	25.5	47.9
MDHA 15M-8	MDHA 15M-R8	15	1/2	12.0	12.7	22	25.5	52.5
MDHA 16M-6	MDHA 16M-R6	16	3/8	13.0	10.4	19	25.5	47.9
MDHA 16M-8	MDHA 16M-R8	16	1/2	13.0	12.7	22	25.5	52.5
MDHA 16M-12	MDHA 16M-R12	16	3/4	13.0	18.3	27	25.5	53.3
		16	3/4	13.0	18.3	27	25.5	55.3
MDHA 18M-8	MDHA 18M-R4	18	1/4	14.5	7.1	22	25.5	47.1
	MDHA 18M-R6	18	3/8	14.5	10.4	22	25.5	48.3
MDHA 18M-12	MDHA 18M-R8	18	1/2	14.5	12.7	22	25.5	52.5
		18	3/4	14.5	18.3	27	25.5	53.3
	MDHA 18M-R12	18	3/4	14.5	18.3	27	25.5	55.3
MDHA 20M-8	MDHA 20M-R8	20	1/2	16.0	12.7	22	25.5	52.5
MDHA 20M-12	MDHA 20M-R12	20	3/4	16.0	18.3	27	25.5	53.3
	MDHA 20M-R16	20	1	16.0	22.5	36	25.5	61.5
MDHA 22M-8	MDHA 22M-R8	22	1/2	18.0	12.7	27	27.0	55.8
MDHA 22M-12	MDHA 22M-R12	22	3/4	18.0	18.3	27	27.0	55.8
	MDHA 22M-R16	22	3/4	18.0	18.3	27	27.0	57.8
MDHA 25M-12	MDHA 25M-R12	25	3/4	21.0	18.3	27	32.5	60.3
	MDHA 25M-R16	25	3/4	21.0	18.3	27	32.5	62.3
MDHA 25M-16	MDHA 25M-R16	25	1	21.0	22.5	36	32.5	69.0