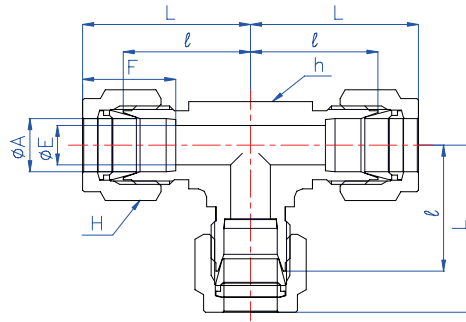
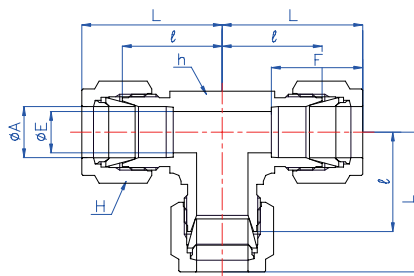


<b>BI-LoK</b>	<b>DTA</b>	<b>Union Tee</b> Connects fractional tubes
---------------	------------	---



Part	A(Tube O. D)		E	h(Flat)		H(HEX)		l	L	F
	in	mm		in	mm	in	mm			
DTA 1	1/16	1.59	1.3	3/8	9.5	5/16	7.94	14.2	18.2	8.9
DTA 2	1/8	3.18	2.3	3/8	9.5	7/16	11.11	15.8	22.5	13.0
DTA 3	3/16	4.76	3.0	1/2	12.7	1/2	12.7	19.0	25.7	13.8
DTA 4	1/4	6.35	4.8	1/2	12.7	9/16	14.29	20.0	27.5	15.4
DTA 5	5/16	7.94	6.4	5/8	15.9	5/8	15.88	22.4	29.9	16.3
DTA 6	3/8	9.53	7.1	5/8	15.9	11/16	17.46	23.0	30.5	17.0
DTA 8	1/2	12.7	10.4	13/16	20.6	7/8	22.23	25.0	35.3	23.0
DTA 10	5/8	15.88	12.7	15/16	23.8	1	25.4	27.0	37.3	24.6
DTA 12	3/4	19.05	15.8	1-1/16	27.0	1-1/8	28.58	28.2	38.5	24.6
DTA 14	7/8	22.23	18.3	1-1/4	31.8	1-1/4	31.75	32.5	42.7	26.1
DTA 16	1	25.4	22.5	1-5/16	33.3	1-1/2	38.1	33.3	45.9	31.6

<b>BI-LoK</b>	<b>DTAZ</b>	<b>Union Tee / Bored-through</b> Connects fractional tubes
---------------	-------------	---



Part No.	A(Tube O. D)		E	h(Flat)		H(HEX)		l	L	F
	in	mm		in	mm	in	mm			
DTAZ 4	1/4	6.35	4.8	1/2	12.7	9/16	14.29	20.0	27.5	15.4
DTAZ 6	3/8	9.52	7.1	5/8	15.9	11/16	17.46	23.0	30.5	17.0