
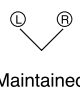
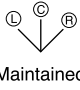

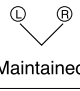

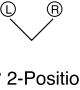
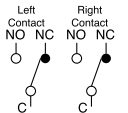
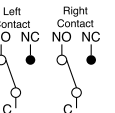
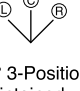
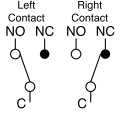
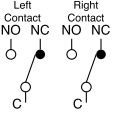
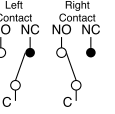


MW1S Selector Switches

Shape	No. of Positions	Operator Position	No. of Contacts	Type No.	Ordering Type No.	Package Quantity
	90° 2-Position	 Maintained	DPDT	MW1S-2Y2	MW1S-2Y2PN10	10
	55° 3-Position	 Maintained	DPDT	MW1S-3Y2	MW1S-3Y2PN10	10
	90° 2-Position	 Maintained	DPDT	MW1S-2L2	MW1S-2L2PN10	10
	55° 3-Position	 Maintained	DPDT	MW1S-3L2	MW1S-3L2PN10	10

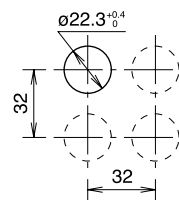
• Operator color: White indicator on black knob or lever.

Contact Operation

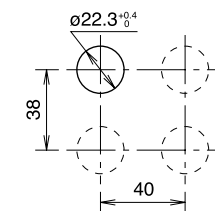
Position	Contact	Operator Position and Contact Operation (Top View)		
		Left	Center	Right
 90° 2-Position Maintained	DPDT		—	
 55° 3-Position Maintained	DPDT			

Mounting Hole Layout

• Knob Operator



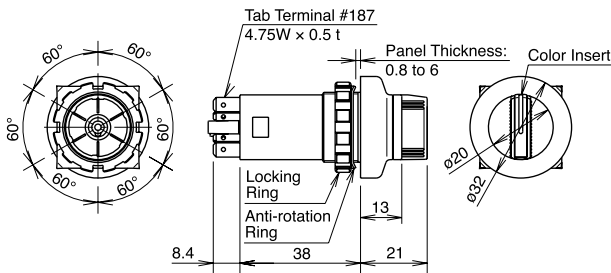
• Lever Operator



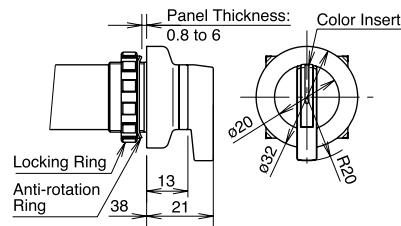
Note: Determine the mounting center to ensure easy operation.

Dimensions

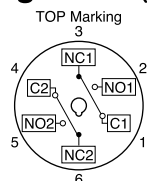
• Knob Operator



• Lever Operator



Terminal Arrangement (Bottom View)



Note: 1 to 6 indicate terminal numbers shown on the side of the housing.

Safety Precautions

- Turn off power to the switch before installation, removal, wiring, maintenance, and inspection. Failure to turn power off may cause electrical shocks or fire hazard.
- For wiring, use wires of proper size to meet the voltage and current requirements. Tighten the M3.5 terminal screws of the screw terminal socket to a tightening torque of 1.0 to 1.3 N·m. If the terminal screw is incompletely soldered or loose, the terminal may heat up, causing a fire.