

DD96 series Display Units

**Two mounting styles; front and rear mount.
High visible large LEDs;
character height 57 mm.**

- Modular units can be combined for up to 8-digits.
- Super bright LED
- Units can be combined together and installed into a panel cut-out by snap fit.
- Easy wiring and maintenance
- Display units operate on 24V DC.
- Jumbo size model of 96H × 72W mm (character height 57 mm), high visible from a distance.



DD96

Item		Input Logic	Housing Color	Part No.
Front Mount	Decimal Display Unit	Negative	Black	DD96-F31N-B
	End Plate (pair)		Black	DD96-W-B
Rear Mount	Decimal Display Unit	Negative	Black	DD96-R31N-B

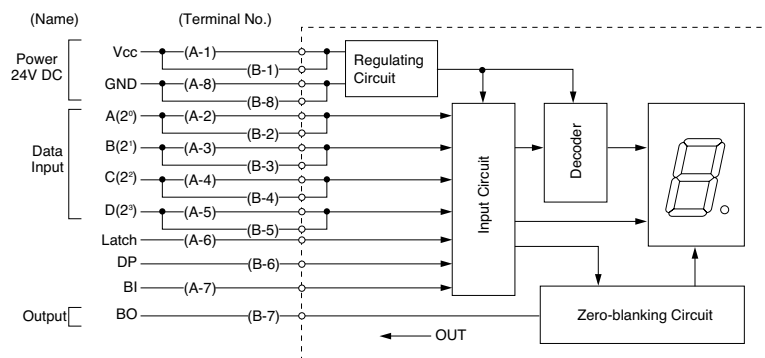
Note: A connector is supplied with each display unit.

Specifications

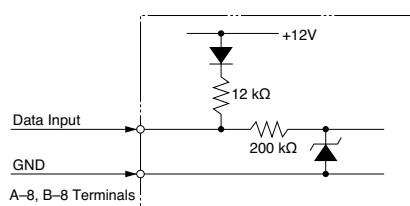
Power Voltage	24V DC ±10%
Current Draw	Approx. 80 mA
Operating Temperature	-10 to +55°C (no freezing)
Storage Temperature	-25 to +80°C (no freezing)
Operating Humidity	35 to 85% RH (no condensation)
Data Input	L: 0 to 2V H: 12 to 30V
Display Character	7-segment red LED display Decimal display unit: 0 to 9, decimal point
Character Height	57 mm
Input	Binary-coded, Latch, DP and BI inputs
Input Logic	Negative
Output	BO (blanking output)
No. of Digits	8 digits max.
Panel Mounting	Front mount: Snap fit Rear mount: Screw
Degree of Protection	IP40 (IEC 60529)
Weight (Approx.)	Front mount: 130g End plates: 26g (pair) Rear mount: 100g

Terminal Connection

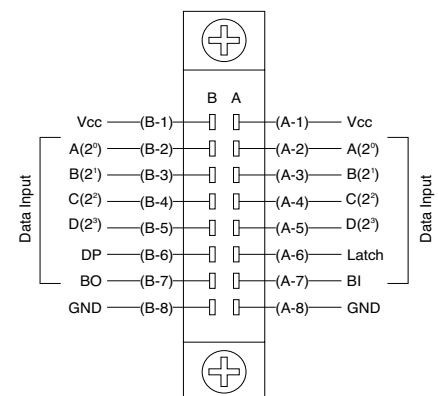
Connection Diagram



Internal Input Circuit



Terminal Arrangement (Connector) Bottom View



Note: Since power supply terminals and terminals A(2¹), B(2¹), C(2¹) and D(2¹) on sides A and B are internally connected to each other, connection is sufficient to only one side, but use terminals on the same side for jumper wiring.

Applicable Wire: Solid ø0.6 maximum
Stranded AWG28 to 30