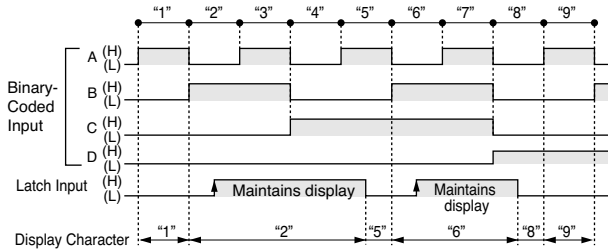


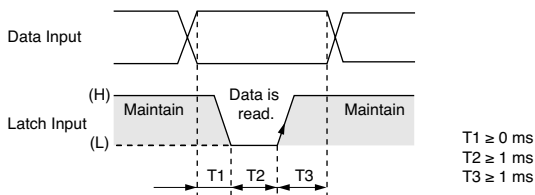
DD3S Series Display Units

Latch Input

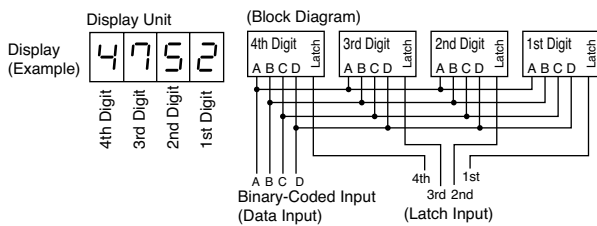
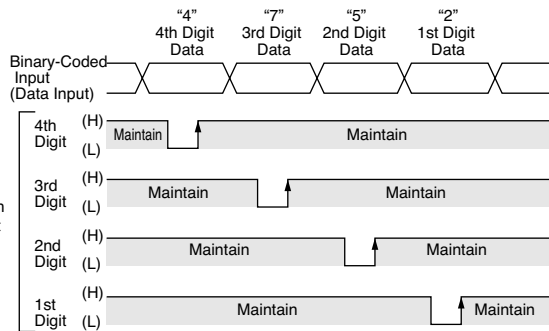
[Binary/Decimal/Hex/Extra Decimal Display Units]
 Latch Operation (Positive Logic)



Latch Input Timing Chart



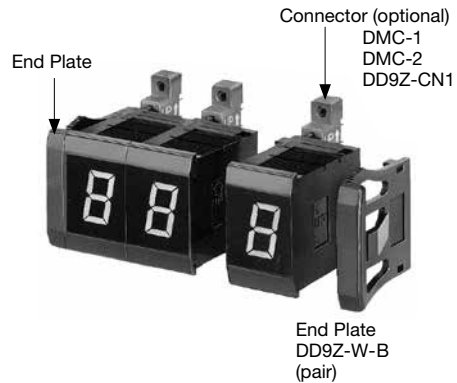
Application of Latch Function



- Note 1: The above chart represents positive logic units. Negative logic units have characteristics with (H) and (L) reserved.
- Note 2: The rise and fall times of input pulses should be made as short as possible. (0.1 ms maximum)
- Note 3: If the data input is changed in the period of T2, the display will change.

Unit Combination

Display units and end plates can be combined together by snap fit. Connection bolts and nuts are not required.



Panel Mounting

Display units can be installed into a panel cut-out by snap fit. Assemble display units and end plates together in advance. Hold the assembly at the end plates and push it into a panel cut-out.



Mother Board (for 4-digit display)

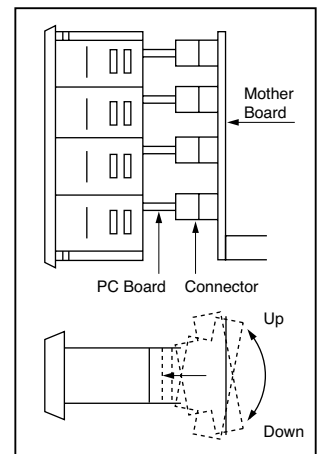
The mother board is intended for 4-digit display and must be connected to four display units at once. Therefore, mount or dismount the mother board properly according to the procedure below.

[Installation]

Put the substrates of four display units into the connectors on the mother board. Insert the substrates into the connectors, pushing the display units on upper and lower sides alternately.
 Note: Be sure to insert four display units at once.

[Removal]

Remove the display units, pulling the upper and lower sides alternately. Be sure to remove all the four units at the same time.



CAUTION:

Never insert or remove the display units one by one as shown. The substrate may be damaged.

Note: For installation of the mother board for 2-digit and 3-digit display, perform the same procedure.

