


MA Series Illuminated Pushbuttons / Pilot Lights

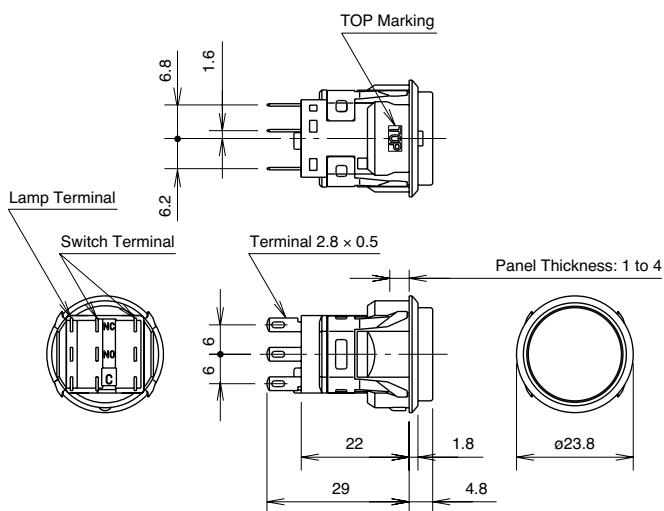
MA8 Illuminated Pushbuttons / Pilot Lights

Package Quantity: 1

Shape	Operation	Contact Material	Operating Voltage	Contact	Part No.	Illumination Color Code
MA8 (Round) One-color Full 	Momentary	Gold	24V AC/DC ±5%	SPDT	MA8L-M1141 *	Specify an illumination color code in place of * in the Part No. A: amber G: green PW: pure white R: red S: blue W: white Y: yellow
				DPDT	MA8L-M2141 *	
			12V AC/DC ±5%	SPDT	MA8L-M1131 *	
				DPDT	MA8L-M2131 *	
			5V DC ±5%	SPDT	MA8L-M1111 *	
				DPDT	MA8L-M2111 *	
		Silver	24V AC/DC ±5%	SPDT	MA8L-M5141 *	
				DPDT	MA8L-M6141 *	
			12V AC/DC ±5%	SPDT	MA8L-M5131 *	
				DPDT	MA8L-M6131 *	
			5V DC ±5%	SPDT	MA8L-M5111 *	
				DPDT	MA8L-M6111 *	
	Maintained	Gold	24V AC/DC ±5%	SPDT	MA8L-A1141 *	
				DPDT	MA8L-A2141 *	
			12V AC/DC ±5%	SPDT	MA8L-A1131 *	
				DPDT	MA8L-A2131 *	
			5V DC ±5%	SPDT	MA8L-A1111 *	
				DPDT	MA8L-A2111 *	
		Silver	24V AC/DC ±5%	SPDT	MA8L-A5141 *	
				DPDT	MA8L-A6141 *	
			12V AC/DC ±5%	SPDT	MA8L-A5131 *	
DPDT				MA8L-A6131 *		
5V DC ±5%			SPDT	MA8L-A5111 *		
			DPDT	MA8L-A6111 *		
Pilot Light	—	24V AC/DC ±5%	—	MA8P-141 *		
		12V AC/DC ±5%	—	MA8P-131 *		
		5V DC ±5%	—	MA8P-111 *		



Dimensions



All dimensions in mm.

Terminal Arrangement (Bottom View)

- For internal circuit, see page 16.
- The following figure shows the polarities of the 5V DC type. (The 12V DC and 24V DC types have no polarity.)

