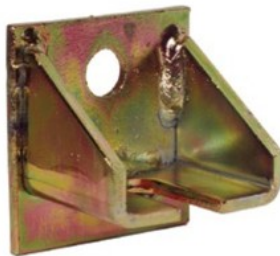
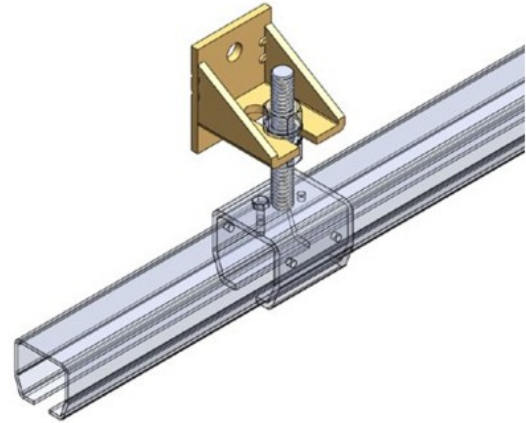
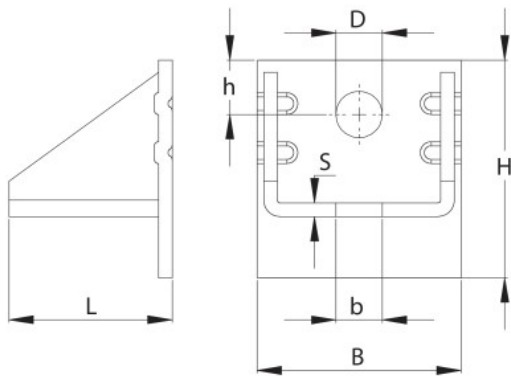


## Adjustable wall bracket

Type 24.-26.B05



Zinc plated steel wall bracket. Short type for single track. For use with adjustable bracket Type .B04.  
Additional installation measurements from page 90.

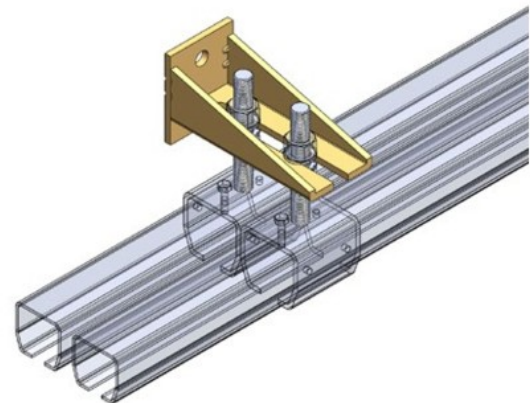
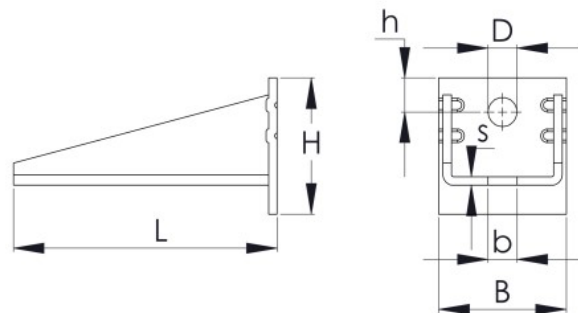


NIKO Profile No.	23./24.000	25./26.000
Adjustable wall bracket No.	24.B05	25./26.B05
Dimension B (mm)	75	90
Dimension H (mm)	80	110
Dimension L (mm)	60	98
Dimension s (mm)	5	8
Dimension b (mm)	17	21
Dimension D (mm)	17	18
Dimension h (mm)	20	26

## Double adjustable wall bracket

Type 24.-27.B06

Zinc plated steel, double wall bracket. Long type for twin tracks. For use with adjustable bracket Type .B04.  
Additional installation measurements from page 90.



NIKO Profile No.	23./24.000	25.000	26.000	27.000
Double adjustable wall bracket No.	24.B06	25.B06	26.B06	27.B06
Dimension B (mm)	75	90	90	90
Dimension H (mm)	80	110	110	110
Dimension h (mm)	20	26	26	26
Dimension L (mm)	155	208	208	208
Dimension s (mm)	5	8	8	8
Dimension b (mm)	17	21	21	32
Dimension D (mm)	17	18	18	22