

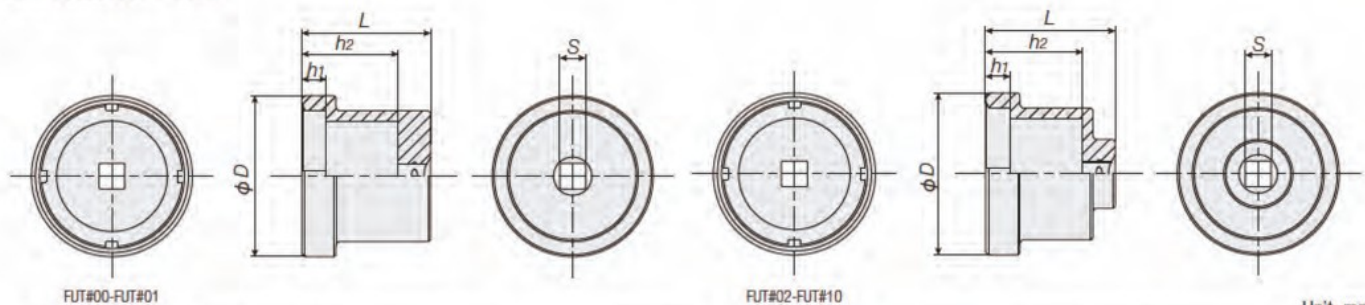
FINE U-NUT® TOOL SET

FINE U-NUT TOOL SET 00-10

FINE U-NUT / M10-M50 Tightening Tool Set



Dimension Table



Ratchet Handle			
Part No.	Total Length	Socket Size	Maximum Torque
FUTR-3/8	225mm	9.52 (3/8")	176N · m
FUTR-1/2	390mm	12.70 (1/2")	490N · m

Extension bar			
Part No.	Total Length	Socket Size	Maximum Torque
FUTE-3/8	75mm	9.52 (3/8")	137N · m
FUTE-1/2	150mm	12.70 (1/2")	382N · m

Socket Part No.	FINE U-NUT Applicable Size	φD	L	h ₁	h ₂	S
FUT#00	M10×0.75	23.0	36.0	4.4	24.0	9.52
FUT#01	M12×1.0	27.0	37.0	4.6	25.0	
FUT#02	M15×1.0	31.0	38.0	5.7	26.0	
FUT#03	M17×1.0	34.0	39.0	5.6	27.0	
FUT#04	M20×1.0	38.5	40.0	6.9	28.0	
FUT#05	M25×1.5	45.5	46.5	8.1	30.5	12.70
FUT#06	M30×1.5	53.0	50.0		34.0	
FUT#07	M35×1.5	60.5	53.5	9.2	37.5	
FUT#08	M40×1.5	67.0	57.0	10.2	41.0	
FUT#09	M45×1.5	74.5	60.5	11.2	44.5	
FUT#10	M50×1.5	80.0	64.0	12.2	48.0	

Set Contents (Part No. : FUN TOOL SET00-10)

- Socket (FUT#00-FUT#04) : 5pieces (entry angle 9.52mm)
- Socket (FUT#05-FUT#10) : 6pieces (entry angle 12.7mm)
- Ratchet Handle (3/8") : 1piece (9.52 × 225mm)
- Ratchet Handle (1/2") : 1piece (12.7 × 390mm)
- Extension Bar (3/8") : 1piece (9.52 × 75mm)
- Extension Bar (1/2") : 1piece (12.7 × 150mm)
- Steel Case : 1box (400 × 150 × 70mm)

* Order is available for each size * Total Weight: 5.72kgs * Specify Part No. when placing an order.