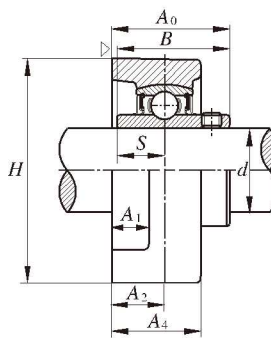
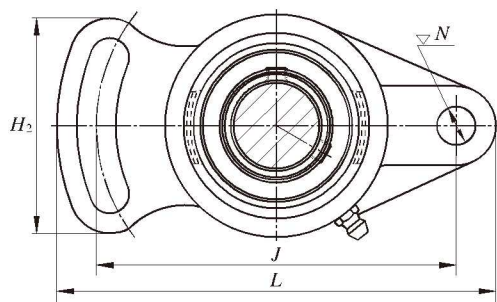


変形ひし形フランジ形ユニット

UCFA 200



SR タイプシール



TRL タイプシール

軸径 (mm) (inch)	寸法 (mm)											取付けボルト の呼び		ユニット 呼び番号	適用 軸受箱	軸受 呼び番号	質量 (kg)
	H	L	J	A ₂	A ₁	A ₄	N	A ₀	H ₂	B	S	(mm)	(inch)				
12 1/2	60	98	78	15	11	25.5	10	33.3	50	31.0	12.7	M8	5/16	UCFA201 UCFA201-8	FA201	UC201 UC201-8	0.47
15 5/8	60	98	78	15	11	25.5	10	33.3	50	31.0	12.7	M8	5/16	UCFA202 UCFA202-10	FA202	UC202 UC202-10	0.47
17 11/16	60	98	78	15	11	25.5	10	33.3	50	31.0	12.7	M8	5/16	UCFA203 UCFA203-11	FA203	UC203 UC203-11	0.47
20 3/4	60	98	78	15	11	25.5	10	33.3	50	31.0	12.7	M8	5/16	UCFA204-12 UCFA204	FA204	UC204-12 UC204	0.47
25 7/8 15/16 1	70	124	98	16	13	27.0	12	35.7	65	34.0	14.3	M10	3/8	UCFA205-14 UCFA205-15 UCFA205 UCFA205-16	FA205	UC205-14 UC205-15 UC205 UC205-16	0.68
30 1 1/8 1 3/16 1 1/4	83	141	117	18	13	31.0	12	40.2	72	38.1	15.9	M10	3/8	UCFA206-18 UCFA206 UCFA206-19 UCFA206-20	FA206	UC206-18 UC206 UC206-19 UC206-20	1.00
35 1 1/4 1 5/16 1 3/8 1 7/16	96	155	130	19	14	34.0	14	44.4	82	42.9	17.5	M12	7/16	UCFA207-20 UCFA207-21 UCFA207-22 UCFA207 UCFA207-23	FA207	UC207-20 UC207-21 UC207-22 UC207 UC207-23	1.50
40 1 1/2 1 9/16	105	171	144	21	14	38.0	14	51.2	87	49.2	19.0	M12	7/16	UCFA208-24 UCFA208-25 UCFA208	FA208	UC208-24 UC208-25 UC208	1.90
45 1 5/8 1 11/16 1 3/4	111	179	148	22	14	40.0	16	52.2	90	49.2	19.0	M14	1/2	UCFA209-26 UCFA209-27 UCFA209-28 UCFA209	FA209	UC209-26 UC209-27 UC209-28 UC209	1.70
50 1 7/8 1 15/16 2	116	189	157	22	14	40.0	16	54.6	94	51.6	19.0	M14	1/2	UCFA210-30 UCFA210-31 UCFA210 UCFA210-32	FA210	UC210-30 UC210-31 UC210 UC210-32	2.00
55 2 2 1/8 2 3/16	133	216	184	25	16	44.0	16	58.4	104	55.6	22.2	M14	1/2	UCFA211-32 UCFA211-34 UCFA211 UCFA211-35	FA211	UC211-32 UC211-34 UC211 UC211-35	3.60