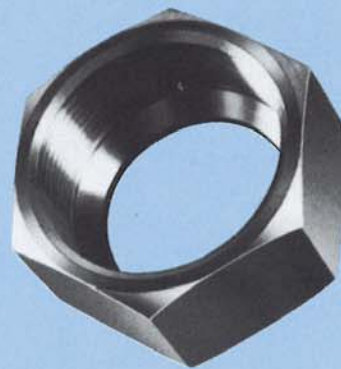


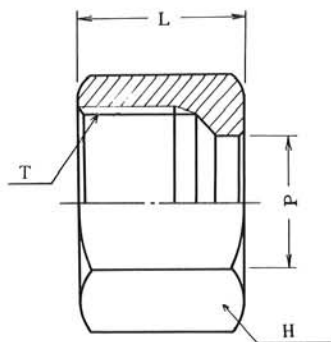
15MPa B型銅管くい込継手  
(150kgf/cm<sup>2</sup>)

**GN型**

**NUT**



JIS H3250 C3771BE-F



単位：mm

各部の記号 Symbols of respective parts ナットの呼称 Designation of nut	適用する 管の外径 Tube (O.D.) P	L	六角対辺 H Opposite sides of hexagon	T
GN- 4 -B	4	10.5	12	M10-P1.25
GN- 6 -B	6	15	14	M12-P1.5
GN- 8 -B	8	15	17	M14-P1.5
GN-10-B	10	16	19	M16-P1.5
GN-12-B	12	17	21	M18-P1.5
GN-14-B	14	19	26	M22-P1.5
GN-15-B	15	19	26	M22-P1.5
GN-16-B	16	19	29	M24-P1.5
GN-18-B	18	19	32	M26-P1.5
GN-20-B	20	19	35	M28-P1.5
GN-22-B	22	19	36	M30-P1.5
GN-25-B	25	19.5	41	M34-P1.5
GN-28-B	28	19.5	41	M36-P1.5
GN-30-B	30	22	46	M40-P1.5
GN-32-B	32	22	50	M42-P1.5
GN-35-B	35	25	54	M45-P1.5
GN-40-B	40	29.5	58	M52-P2.0