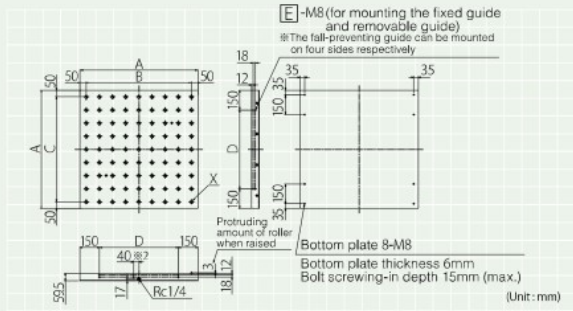


Air lifting type By turning ON or OFF the air valve, you can move up and down the built-in freebears (or rollers) from the table surface.
 ※The air valve is sold separately.

Freebear Table



AFT-6



Model	Load capacity	A	B	C	D	E	X (Freebear)	Weight	Recommended air pressure
AFT-6	500kg*	600	100 Pitch × 5=500	100 Pitch × 5=500	300	16	C-8Y (Qty.:36)	64kg	0.50MPa (5.1kgf/cm ²)
AFT-9	500kg*	900	100 Pitch × 8=800	100 Pitch × 8=800	300 Pitch × 2=600 ^{※2}	24	C-8Y (Qty.:81)	130kg	0.50MPa (5.1kgf/cm ²)

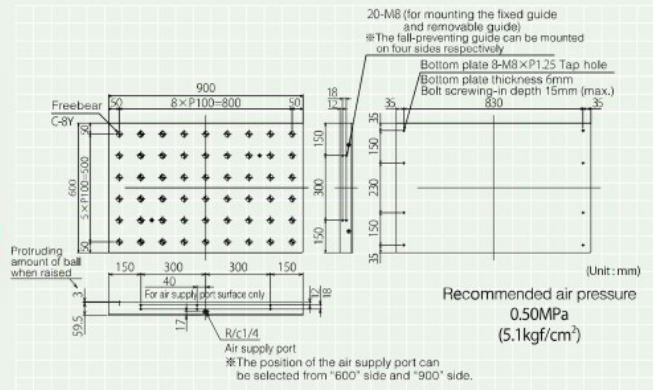
*. Please contact us if the workpiece weighs more than 500kg.

※2 Only the guide mounting holes on the air supply port surface of AFT-9 shift 40mm to the left.

Freebear Table



AFT-600 × 900
 Load capacity 500kg
 Weight 90kg

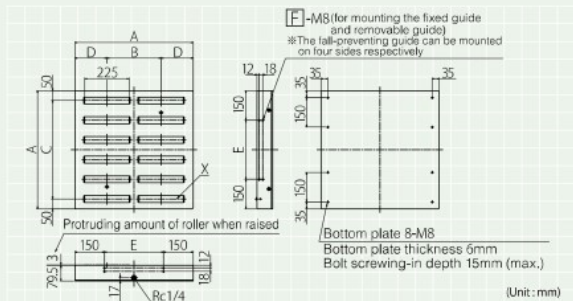


*. Please contact us if the workpiece weighs more than 500kg.

Roller Table



ART-6



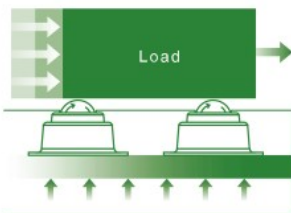
Model	Load capacity	A	B	C	D	E	F	X (Roller)	Weight	Recommended air pressure
ART-6	500kg*	600	275	100 Pitch × 5=500	162.5	300	16	∅ 38 × 6 pcs. × 2 rows	69kg	0.50MPa (5.1kgf/cm ²)
ART-9	500kg*	900	275 Pitch × 2=550	100 Pitch × 8=800	175	300 Pitch × 2=600	24	∅ 38 × 9 pcs. × 3 rows	140kg	0.50MPa (5.1kgf/cm ²)

*. Please contact us if the workpiece weighs more than 500kg.

Products with the roller direction 90° changed are also available.

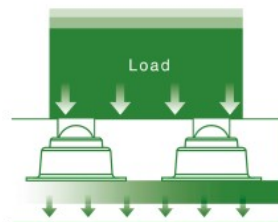
Safely and quickly conveying heavy objects

When conveying



After raising the freebears, the delicate position adjustment and the direction turn of load can be quickly performed with a slight force.

When seating



By lowering the freebears, you can make the load seat on the table surface stably. Heavy objects can be conveyed safely by using the truck.

Fixed type



Removable type

The fall-preventing guide can be installed as an option. (Fixed type/Removable type)

※Product specifications are subject to change without prior notice. Please contact us for details.