

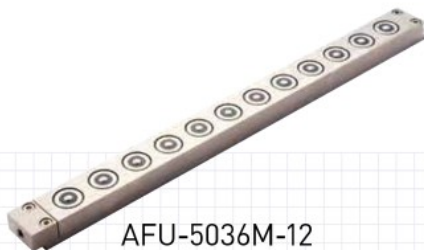


Sizes other than shown below are also available.
Please specify the details in the inquiry sheet of P30.

(Lowered by means of mold weight or forced exhaust)



AFU-3232-14



AFU-5036M-12

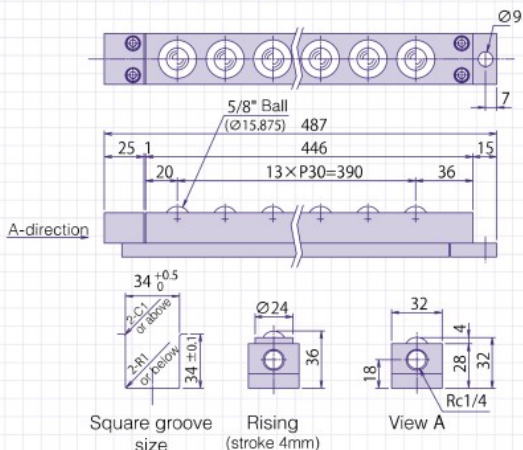
(Rust and dust-proof type)



AFU-7570-7

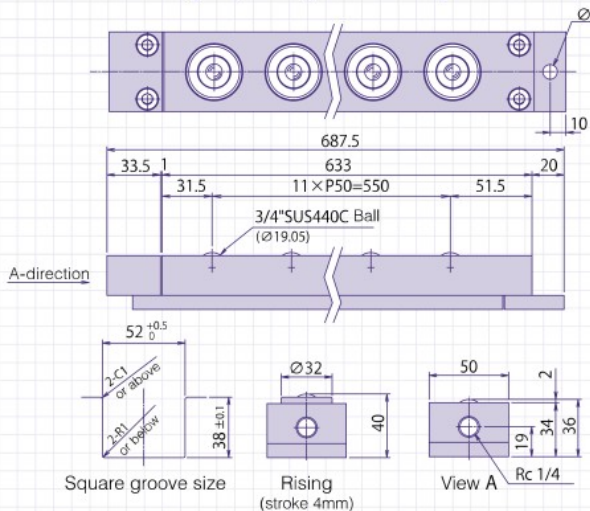
■ AFU-3232-14

Dimension diagram (Lowered by means of mold weight or forced exhaust)

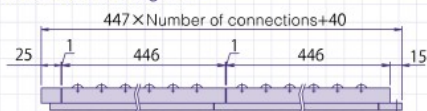


■ AFU-5036M-12

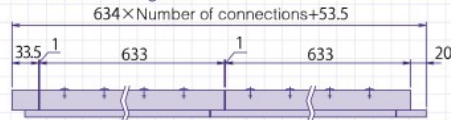
Dimension diagram (Lowered by means of mold weight or forced exhaust)



Connection dimension diagram

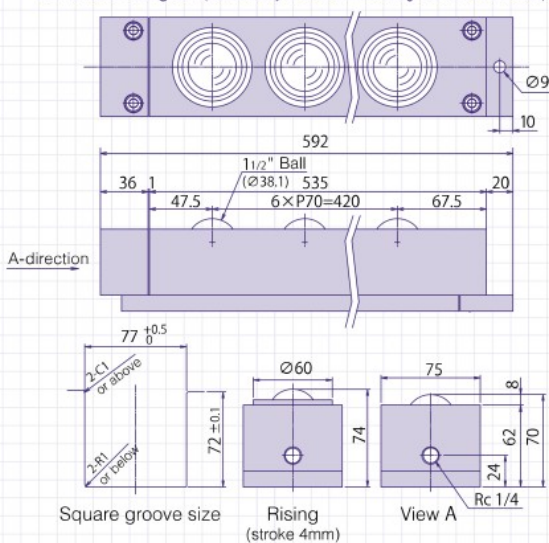


Connection dimension diagram

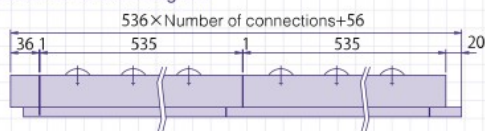


■ AFU-7570-7

Dimension diagram (Lowered by means of mold weight or forced exhaust)



Connection dimension diagram



(Unit: mm)

Model	Weight (kg)	Relation of air pressure and load capacity kN (kgf)							
		One piece of AFU				One freebear			
		Operating air pressure MPa (kgf/cm ²)				Operating air pressure MPa (kgf/cm ²)			
AFU-3232-14	3.0	0.30 (3.1)	0.40 (4.1)	0.50 (5.1)	0.60 (6.1)	0.30 (3.1)	0.40 (4.1)	0.50 (5.1)	0.60 (6.1)
AFU-5036M-12	7.4	1.68 (171.3)	2.24 (228.4)	2.80 (285.5)	3.36 (342.6)	0.12 (12.25)	0.16 (16.3)	0.20 (20.4)	0.24 (24.5)
AFU-7570-7	19.4	2.34 (238.6)	2.88 (293.7)	3.72 (379.3)	4.68 (477.2)	0.195 (19.9)	0.24 (24.5)	0.31 (31.6)	0.39 (39.8)
		5.60 (571.1)	7.42 (756.6)	9.31 (949.4)	11.2 (1,142.1)	0.80 (81.6)	1.06 (108.1)	1.33 (135.6)	1.60 (163.2)