

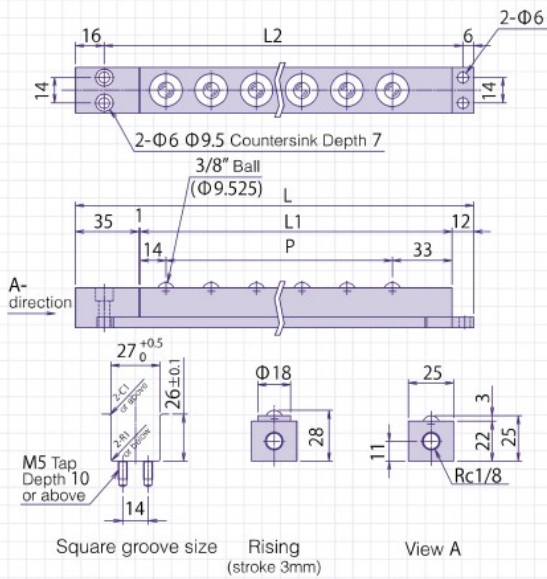
AFU-2525 series RoHS CAD 3D

(Lowered by means of mold weight or forced exhaust)

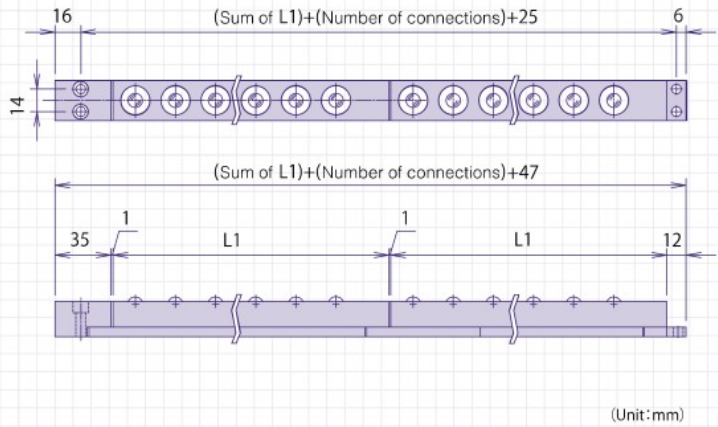
Sizes other than shown below are also available.
Please specify the details in the inquiry sheet of P30.



■ Dimension diagram



■ Connection dimension diagram



(Unit:mm)

Model	Body size (mm)				Weight (kg)	Relation of air pressure and load capacity kN (kgf)							
	L	L1	L2	P		One piece of AFU				One freebear			
						Operating air pressure MPa (kgf/cm ²)				Operating air pressure MPa (kgf/cm ²)			
AFU-2525-1	95	47	73	—	0.3	0.30 (3.1)	0.40 (4.1)	0.50 (5.1)	0.60 (6.1)	0.07 (7.2)	0.09 (9.2)	0.12 (12.3)	0.14 (14.3)
AFU-2525-2	120	72	98	25	0.4	0.14 (14.3)	0.18 (18.4)	0.24 (24.6)	0.28 (28.6)				
AFU-2525-3	145	97	123	2 × P25 = 50	0.5	0.21 (21.5)	0.27 (27.6)	0.36 (36.9)	0.42 (42.9)				
AFU-2525-4	170	122	148	3 × P25 = 75	0.6	0.28 (28.6)	0.36 (36.8)	0.48 (49.2)	0.56 (57.2)				
AFU-2525-5	195	147	173	4 × P25 = 100	0.7	0.35 (35.8)	0.45 (46.0)	0.60 (61.5)	0.70 (71.5)				
AFU-2525-6	220	172	198	5 × P25 = 125	0.8	0.42 (42.9)	0.54 (55.2)	0.72 (73.8)	0.84 (85.8)				
AFU-2525-7	245	197	223	6 × P25 = 150	0.9	0.49 (50.1)	0.63 (64.4)	0.84 (86.1)	0.98 (100.1)				
AFU-2525-8	270	222	248	7 × P25 = 175	1.0	0.56 (57.2)	0.72 (73.6)	0.96 (98.4)	1.12 (114.4)				
AFU-2525-9	295	247	273	8 × P25 = 200	1.1	0.63 (64.4)	0.81 (82.8)	1.08 (110.7)	1.26 (128.7)				
AFU-2525-10	320	272	298	9 × P25 = 225	1.2	0.70 (71.5)	0.90 (92.0)	1.20 (123.0)	1.40 (143.0)				
AFU-2525-11	345	297	323	10 × P25 = 250	1.3	0.77 (78.7)	0.99 (101.2)	1.32 (135.3)	1.54 (157.3)				
AFU-2525-12	370	322	348	11 × P25 = 275	1.4	0.84 (85.8)	1.08 (110.4)	1.44 (147.6)	1.68 (171.6)				
AFU-2525-13	395	347	373	12 × P25 = 300	1.5	0.91 (93.0)	1.17 (119.6)	1.56 (159.9)	1.82 (185.9)				
AFU-2525-14	420	372	398	13 × P25 = 325	1.6	0.98 (100.1)	1.26 (128.8)	1.68 (172.2)	1.96 (200.2)				
AFU-2525-15	445	397	423	14 × P25 = 350	1.7	1.05 (107.3)	1.35 (138.0)	1.80 (184.5)	2.10 (214.5)				
AFU-2525-16	470	422	448	15 × P25 = 375	1.8	1.12 (114.4)	1.44 (147.2)	1.92 (196.8)	2.24 (228.8)				
AFU-2525-17	495	447	473	16 × P25 = 400	1.9	1.19 (121.6)	1.53 (156.4)	2.04 (209.1)	2.38 (243.1)				
AFU-2525-18	520	472	498	17 × P25 = 425	2.0	1.26 (128.5)	1.62 (165.2)	2.16 (220.3)	2.52 (257.0)				