

D-type

Cutting-machined products


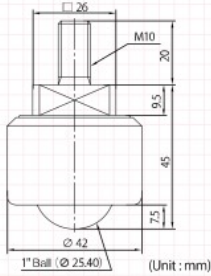
RoHS

CAD

3D

C-8D

▼ downward **Steel**

Allowable load	784N(80kgf)	Small ball	SUJ2	Middle ring	SS400-equivalent
Max. load	1,568N(160kgf)	Body (cover)	SS400-equivalent		
Weight	332g	Ball seat	SCM415		
Main ball	SUJ2	Ball seat case	S45C		

S-8D (with metal seal)


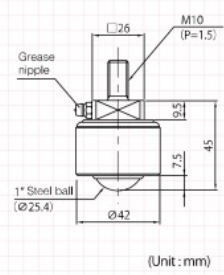
▼ downward **Stainless steel** **Dust-proof**




Allowable load	784N(80kgf)	Small ball	SUS440C	Ball seat case	SUS303
Max. load	1,568N(160kgf)	Body (cover)	SUS303	Middle ring	SUS303
Weight	327g	Ball seat	SUS440C		
Main ball	SUS440C	Seal material	SUS303		

C-8DA (with rubber seal/grease nipple)


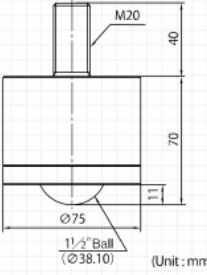
▼ downward **Steel** **Dust-proof**

Allowable load	784N(80kgf)	Small ball	SUJ2	Ball seat case	S45C
Max. load	1,568N(160kgf)	Body (cover)	SS400-equivalent	Middle ring	SS400-equivalent
Weight	309g	Ball seat	SCM415		
Main ball	SUJ2	Seal material	SS400-equivalent+NBR		

C-12HD


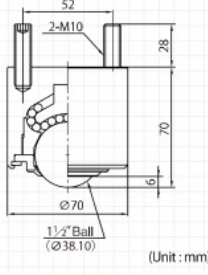
▼ downward **Steel**

Allowable load	1,960N(200kgf)	Small ball	SUJ2	Ball seat case	SS400-equivalent
Max. load	3,920N(400kgf)	Body (cover)	SS400-equivalent	Middle ring	SS400-equivalent
Weight	2,000g	Ball seat	SCM415		
Main ball	SUJ2	Seal material	Felt		

C-12HDR (with rubber seal)


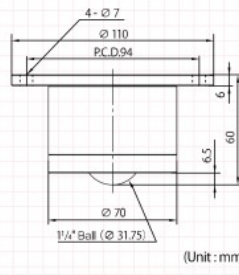
▼ downward **Steel** **Dust-proof**

Allowable load	1,960N(200kgf)	Small ball	SUJ2	Middle ring	SS400-equivalent
Max. load	3,920N(400kgf)	Ball seat	SCM415		
Weight	1,684g	Seal material	SS400-equivalent+NBR		
Main ball	SUJ2	Ball seat case	SS400-equivalent		

C-10D (with metal seal)


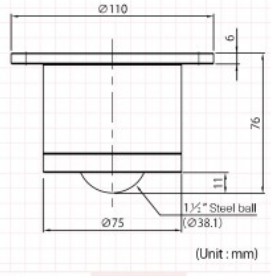
▼ downward **Steel** **Dust-proof**

Allowable load	1,470N(150kgf)	Small ball	SUJ2	Ball seat case	SS400-equivalent
Max. load	2,940N(300kgf)	Body (cover)	SS400-equivalent	Middle ring	SS400-equivalent
Weight	1,733g	Ball seat	SCM415	Flange	SS400-equivalent
Main ball	SUJ2	Seal material	SS400-equivalent		

C-12D


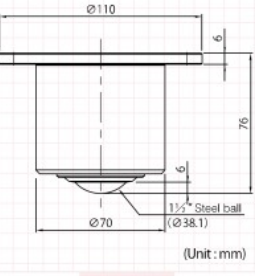
▼ downward **Steel**

Allowable load	1,960N(200kgf)	Small ball	SUJ2	Ball seat case	SS400-equivalent
Max. load	3,920N(400kgf)	Body (cover)	SS400-equivalent	Middle ring	SS400-equivalent
Weight	2,342g	Ball seat	SCM415	Flange	SS400-equivalent
Main ball	SUJ2	Seal material	Felt		

C-12DR (with rubber seal)

▼ downward **Steel** **Dust-proof**

Allowable load	1,960N(200kgf)	Small ball	SUJ2	Middle ring	SS400-equivalent
Max. load	3,920N(400kgf)	Ball seat	SCM415	Flange	SS400-equivalent
Weight	2,080g	Seal material	SS400-equivalent+NBR		
Main ball	SUJ2	Ball seat case	SS400-equivalent		

※Product specifications are subject to change without prior notice. Please contact us for details. ※For materials not contained herein, please contact us.
 ※The main ball of the stainless steel products contained herein is made of SUS440C. Please consult us for rust prevention purposes.