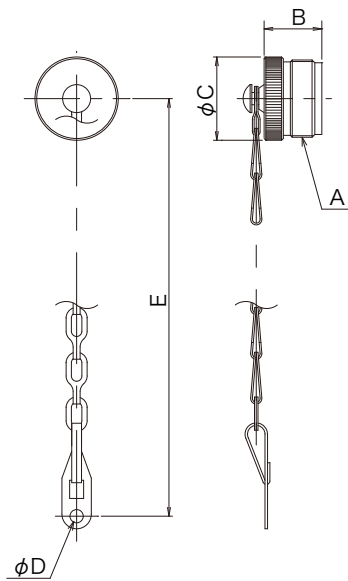


▶ Cap and Chain for Plug

D/MS25042- □ □ DK



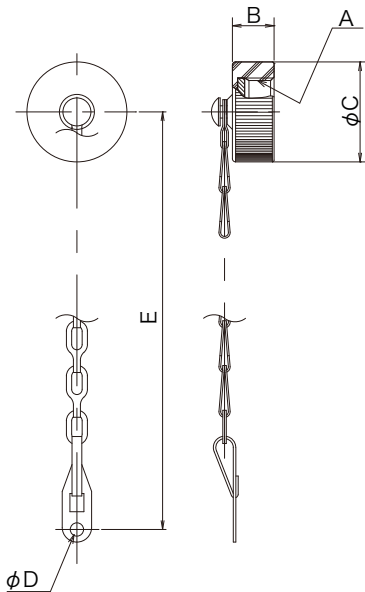
《Fastening the cap and chain》

Fasten the chain hole "D" to the tightening screw of cable clamp or split back shell.

Part Number	Applicable Shell Size	A	B max.	φ C max.	φ D ^{±0.25}	E ^{±13.3}
D/MS25042-10DK	10SL	5/8-24UNEF	16.66	17.45	4.0	170.8
D/MS25042-12DK	12S	3/4-20UNEF	21.44	20.62	4.0	170.8
D/MS25042-14DK	14S	7/8-20UNEF	21.44	23.80	4.0	170.8
D/MS25042-16DK	16S、16	1-20UNEF	21.44	26.97	4.0	170.8
D/MS25042-18DK	18	1 1/8-18UNEF	21.44	30.15	4.0	170.8
D/MS25042-20DK	20	1 1/4-18UNEF	21.44	33.32	4.8	170.8
D/MS25042-22DK	22	1 3/8-18UNEF	21.44	36.50	4.8	170.8
D/MS25042-24DK	24	1 1/2-18UNEF	21.44	39.67	4.8	170.8
D/MS25042-28DK	28	1 3/4-18UNS	21.44	46.02	4.8	170.8
D/MS25042-32DK	32	2-18UNS	21.44	52.37	5.6	170.8
D/MS25042-36DK	36	2 1/4-16UN	21.44	58.72	5.6	170.8

▶ Cap and Chain for Receptacle

D/MS25043- □ □ DK



《Fastening the cap and chain》

Fasten the chain hole "D" to the mounting screw of receptacle.

Part Number	Applicable Shell Size	A	B max.	φ C max.	φ D ^{±0.25}	E ^{±13.3}
D/MS25043-10DK	10SL	5/8-24UNEF	11.91	20.70	3.6	170.8
D/MS25043-12DK	12S	3/4-20UNEF	11.91	25.40	3.6	170.8
D/MS25043-14DK	14S	7/8-20UNEF	11.91	28.58	3.6	170.8
D/MS25043-16DK	16S、16	1-20UNEF	11.91	30.18	3.6	170.8
D/MS25043-18DK	18	1 1/8-18UNEF	11.91	34.13	3.6	170.8
D/MS25043-20DK	20	1 1/4-18UNEF	11.91	37.31	3.6	170.8
D/MS25043-22DK	22	1 3/8-18UNEF	11.91	40.49	3.6	170.8
D/MS25043-24DK	24	1 1/2-18UNEF	11.91	43.66	4.4	170.8
D/MS25043-28DK	28	1 3/4-18UNS	13.49	50.01	4.4	170.8
D/MS25043-32DK	32	2-18UNS	13.49	56.36	4.8	170.8
D/MS25043-36DK	36	2 1/4-16UN	13.49	62.71	4.8	170.8

A cap and chain is designed to cover the mating face from dust to avoid electrical trouble.

The moistureproof gasket is attached to the cap and chain (D/MS25043- □ □ DK) .

(Note) When using the smaller shell size less than 22 of cable receptacle(D/MS3101A),

the chain can not be fasten to the cable clamp.

© Specifications and/or dimensions in this catalog are subject to change without notice.
Your checking the latest specifications with our drawings would be highly appreciated.

<http://www.ddknet.co.jp>