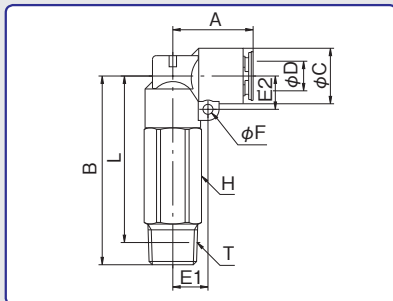


# タッチコネクター FUJI

## TOUCH CONNECTOR FUJI

### ロングメイルエルボ [金属] LONG MALE ELBOW [METAL BODY]



型式 Model	A	B	φC	適用 チューブ 外径 Tube O. D. φD	E1	E2	φF	二面幅 Spanner Flats H	L	ねじサイズ Thread T	チューブ 挿入寸法 Tube Insertion Depth	重量 Weight (g)
4-01M2L	17.7	42.0	11.0	4	7.1	6.5	2.7	10.0	38.0	R1/8	15.0	34.5
4-02M2L	17.7	45.0	11.0	4	7.1	6.5	2.7	14.0	39.0	R1/4	15.0	44.0
6-01M2L	19.5	45.0	13.0	6	8.3	7.5	2.7	12.0	41.0	R1/8	16.3	42.5
6-02M2L	19.5	48.0	13.0	6	8.3	7.5	2.7	14.0	42.0	R1/4	16.3	51.5
8-01M2L	21.2	48.0	15.0	8	9.5	9.0	2.7	14.0	44.0	R1/8	17.0	57.0
8-02M2L	21.2	51.0	15.0	8	9.5	9.0	2.7	14.0	45.0	R1/4	17.0	58.0
8-03M2L	21.2	52.0	15.0	8	9.5	9.0	2.7	17.0	45.6	R3/8	17.0	74.0
10-02M2L	23.0	54.0	17.0	10	10.5	10.0	2.7	17.0	48.0	R1/4	17.8	85.0
10-03M2L	23.0	55.0	17.0	10	10.5	10.0	2.7	17.0	48.6	R3/8	17.8	82.5
10-04M2L	23.0	59.0	17.0	10	10.5	10.0	2.7	21.0	51.0	R1/2	17.8	113.0
12-02M2L	25.6	58.5	19.0	12	11.5	11.0	2.7	19.0	52.5	R1/4	19.4	109.5
12-03M2L	25.6	59.5	19.0	12	11.5	11.0	2.7	19.0	53.1	R3/8	19.4	110.5
12-04M2L	25.6	64.5	19.0	12	11.5	11.0	2.7	21.0	56.5	R1/2	19.4	130.5

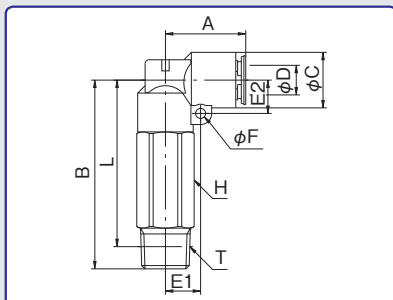
Section N

Section A

Section B

Section C

### ロングメイルエルボ [樹脂] LONG MALE ELBOW [RESIN BODY]



型式 Model	A	B	φC	適用 チューブ 外径 Tube O. D. φD	E1	E2	φF	二面幅 Spanner Flats H	L	ねじサイズ Thread T	チューブ 挿入寸法 Tube Insertion Depth	重量 Weight (g)
4R-01M2L	17.7	42.0	11.0	4	7.1	6.5	2.7	10.0	38.0	R1/8	15.0	28.0
4R-02M2L	17.7	45.0	11.0	4	7.1	6.5	2.7	14.0	39.0	R1/4	15.0	37.0
6R-01M2L	19.5	45.0	13.0	6	8.3	7.5	2.7	12.0	41.0	R1/8	16.3	32.0
6R-02M2L	19.5	48.0	13.0	6	8.3	7.5	2.7	14.0	42.0	R1/4	16.3	40.5
8R-01M2L	21.7	48.0	15.0	8	9.5	9.0	2.7	14.0	44.0	R1/8	17.5	43.5
8R-02M2L	21.7	51.0	15.0	8	9.5	9.0	2.7	14.0	45.0	R1/4	17.5	44.5
8R-03M2L	21.7	52.0	15.0	8	9.5	9.0	2.7	17.0	45.6	R3/8	17.5	60.5
10R-02M2L	23.5	54.0	17.0	10	10.5	10.0	2.7	17.0	48.0	R1/4	18.3	68.0
10R-03M2L	23.5	55.0	17.0	10	10.5	10.0	2.7	17.0	48.6	R3/8	18.3	66.0
10R-04M2L	23.5	59.0	17.0	10	10.5	10.0	2.7	21.0	51.0	R1/2	18.3	96.5
12R-02M2L	25.6	58.5	20.0	12	12.0	11.5	4.0	19.0	52.5	R1/4	19.4	90.0
12R-03M2L	25.6	59.5	20.0	12	12.0	11.5	4.0	19.0	53.1	R3/8	19.4	91.5
12R-04M2L	25.6	64.5	20.0	12	12.0	11.5	4.0	21.0	56.5	R1/2	19.4	111.0

Section D

Section E

Section F