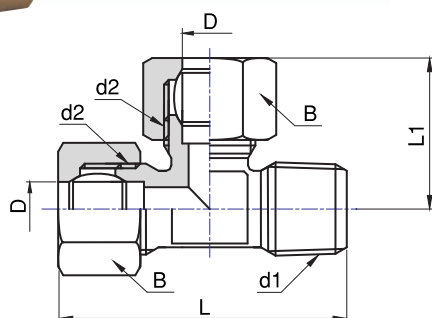
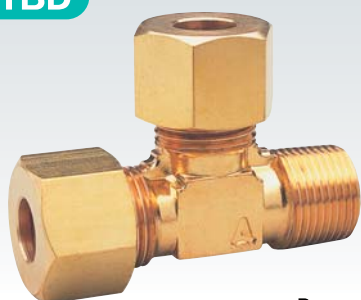


# サービス・リングチーズ

C3604BD

C3771BD

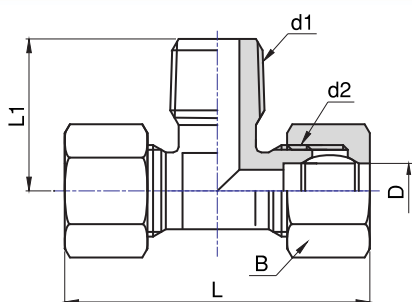
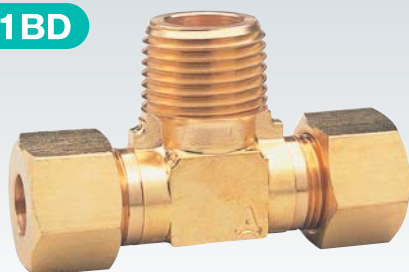


品番	取付ネジ	適用管外径	寸法 (mm)			
	d1	φD	B	d2	L1 (約)	L (約)
RT-4106	PT1/8	6	12	PF1/8	20	37
RT-4206	PT1/4	6	17	PF1/4	25	47
RT-4202	PT1/4	6.35	17	PF1/4	25	47
RT-4208	PT1/4	8	17	PF1/4	26	48
RT-4303	PT3/8	9.53	21	PF3/8	30	55
RT-4310	PT3/8	10	21	PF3/8	30	55
RT-4403	PT1/2	9.53	21	PF1/2	29	64
RT-4410	PT1/2	10	21	PF1/2	29	64

# 二方リングチーズ

C3604BD

C3771BD



品番	取付ネジ	適用管外径	寸法 (mm)			
	d1	φD	B	d2	L1	L (約)
RT-2104	PT1/8	4	12	PF1/8	17	38
RT-2105	PT1/8	5	12	PF1/8	17	38
RT-2106	PT1/8	6	12	PF1/8	17	40
RT-2102	PT1/8	6.35	17	PF1/4	19	50
RT-2108	PT1/8	8	17	PF1/4	19	52
RT-2206	PT1/4	6	17	PF1/4	22	50
RT-2202	PT1/4	6.35	17	PF1/4	22	50
RT-2208	PT1/4	8	17	PF1/4	22	52
RT-2203	PT1/4	9.53	21	PF3/8	24	60
RT-2210	PT1/4	10	21	PF3/8	24	60
RT-2306	PT3/8	6	17	PF1/4	25	54
RT-2302	PT3/8	6.35	17	PF1/4	25	54
RT-2308	PT3/8	8	17	PF1/4	25	56
RT-2303	PT3/8	9.53	21	PF3/8	25	60
RT-2310	PT3/8	10	21	PF3/8	25	60
RT-2312	PT3/8	12	24	PF1/2	28	72
RT-2304	PT3/8	12.7	24	PF1/2	28	74
RT-2403	PT1/2	9.53	21	PF3/8	29	70
RT-2410	PT1/2	10	21	PF3/8	29	70
RT-2412	PT1/2	12	24	PF1/2	29	72
RT-2404	PT1/2	12.7	24	PF1/2	29	74
RT-2415	PT1/2	15	27	PF5/8	32	82
RT-2405	PT1/2	15.88	27	PF5/8	32	82
RT-2606	PT3/4	19.05	30	PF3/4	34	88