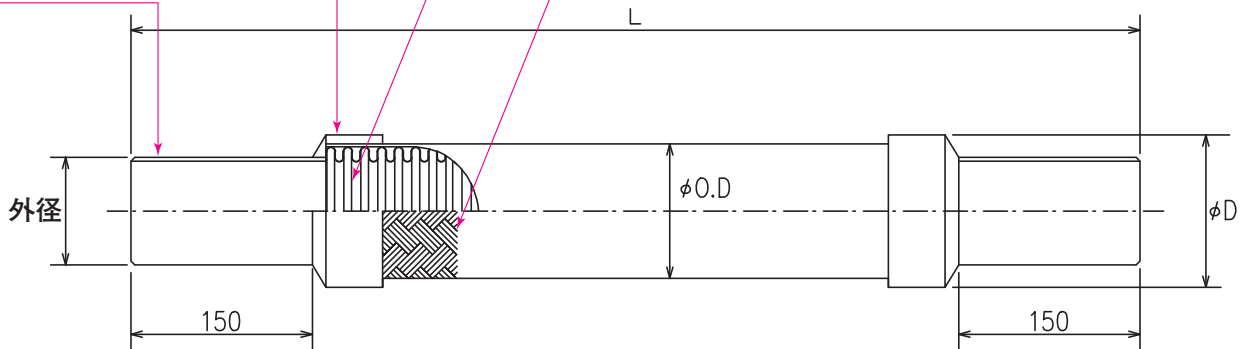


構造

| | |
|-------|---------|
| ブレード | SUS304 |
| チューブ | SUS316L |
| カラー | SUS304 |
| 銅管パイプ | C1220T |



寸法表

単位:mm

| 銅管 外径 | 呼び径 | JIS | 製品寸法 | | | | | | | | | |
|----------|----------------|----------|------|------|-------------------|-------------------|-------------------|-------------------|-------------------|-------------------|-------------------|-------------------|
| | | | φO.D | φD | 100mm 偏心用 L | 200mm 偏心用 L | 300mm 偏心用 L | 400mm 偏心用 L | 500mm 偏心用 L | 600mm 偏心用 L | 700mm 偏心用 L | 800mm 偏心用 L |
| 6.35 | 2分 | 1/4" | 12.7 | 17.3 | 930 | 1130 | 1200 | 1300 | 1500 | 1600 | 1800 | 2200 |
| 9.52 | 3分 | 3/8" | 16.7 | 19.1 | | | | | | | | |
| 12.70 | 4分 | 1/2" | 19.7 | 22.0 | | | | | | | | |
| 15.88 | 5分 | 5/8" | 25.2 | 27.1 | | | | | | | | |
| 19.05 | 6分 | 3/4" | 31.2 | 33.0 | | | | | | | | |
| 22.22 | 7分 | (7/8") | | | | | | | | | | |
| 25.40 | 1吋 (インチ) | 1" | 38.2 | 41.4 | | | | | | | | |
| 28.58 | 1吋1分 | 1 1/8" | | | | | | | | | | |
| 31.75 | 1吋2分 | 1 1/4" | 46.2 | 50.5 | | | | | | | | |
| 34.92 | 1吋3分 | (1 3/8") | | | | | | | | | | |
| 38.10 | 1吋4分 (インチ半) | 1 1/2" | 55.2 | 60.0 | | | | | | | | |
| 41.28 | 1吋5分 | 1 5/8" | | | | | | | | | | |
| 44.45 | 1吋6分 | 1 3/4" | | | | | | | | | | |