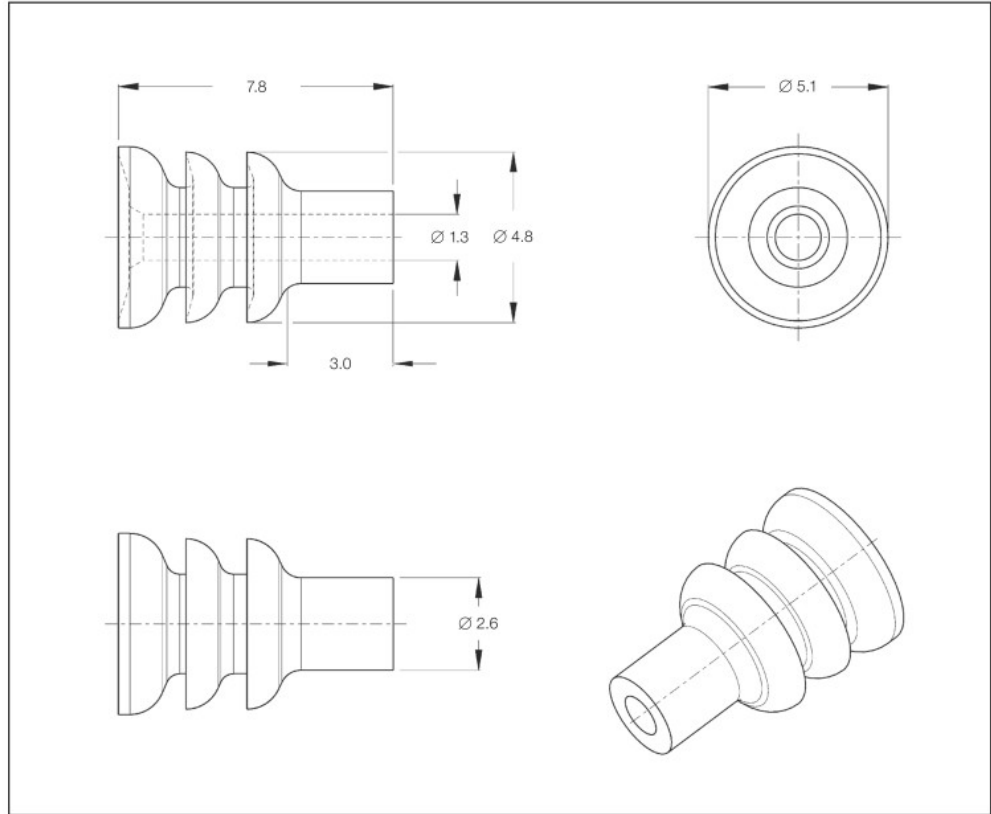


Single Wire Seals and Cavity Plugs

**Single Wire Seals
and Cavity Plugs**



Single Wire Seals and Cavity Plugs

Wire Size Range mm ² (AWG)	Insulation Diameter mm (Inch)	Material and (Color)	Style	Part Number	Use with Contact Part Number
0.2–0.5 (24–20)	1.4–2.4 (.055–.094)	NBR (Black)	A	172746-1	171631-1 171631-2 173600-1 171630-1 171630-5 171699-1
	1.4–2.1 (.055–.083)		B	178210-1	171661-1 171661-2 173706-1 171662-1 171662-4 171662-5 173707-1
0.50–1.25 (20–16)	2.0–2.6 (.079–.102)	NBR (Gray)	C	172888-2	
	2.0–2.6 (.079–.102)		D	178210-1	
Cavity Plug	–	NBR (Black)	E	172748-1	–
		NBR (Gray)		172748-2	